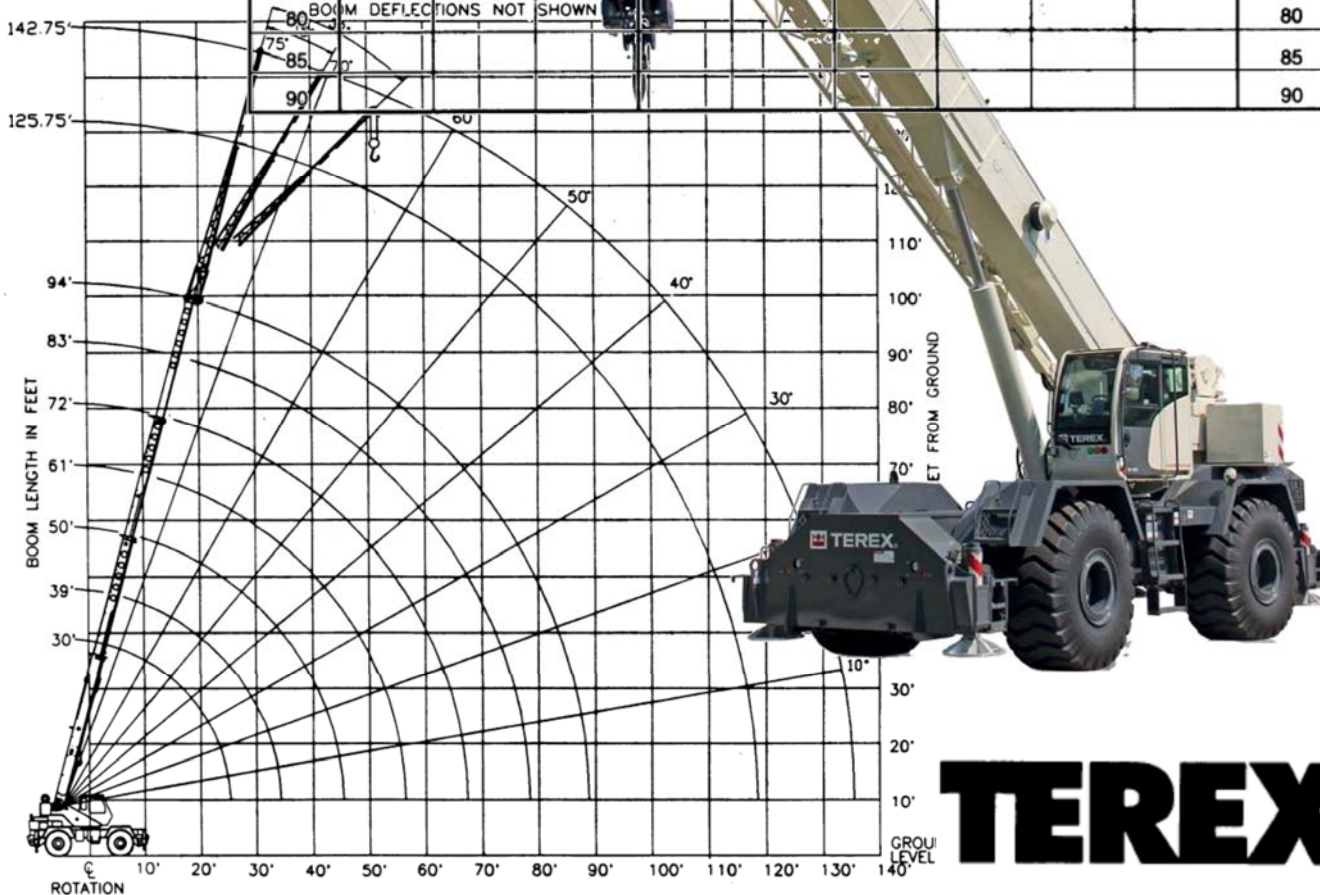


ON OUTRIGGERS – FULLY EXTENDED

RT 335

LOAD RADIUS (FT)	BOOM LENGTH 30 FT			BOOM LENGTH 39 FT			BOOM LENGTH 50 FT			LOAD RADIUS (FT)
	LOADED BOOM ANGLE (DEG)	OVER FRONT (LB)	360° (LB)	LOADED BOOM ANGLE (DEG)	OVER FRONT (LB)	360° (LB)	LOADED BOOM ANGLE (DEG)	OVER FRONT (LB)	360° (LB)	
10	63.0	70,000*	70,000*	69.4	46,600*	46,600*				10
12	58.5	60,800*	60,800*	66.2	46,600*	46,600*	71.7	46,600*	46,600*	12
15	51.4	50,600*	50,600*	61.2	46,600*	46,600*	68.0	44,300*	44,300*	15
20	37.4	36,100*	36,100*	52.3	36,900*	36,900*	61.6	37,500*	37,500*	20
25	13.7	27,300*	27,300*	42.0	28,200*	28,200*	54.8	28,800*	28,800*	25
30	**			28.8	22,300*	22,300*	47.3	22,900*	22,900*	30
35							38.7	18,800*	18,800*	35
40							27.9	15,600*	15,600*	40
45							7.9	13,100*	13,100*	45
50							**			50
55										55
60										60
65										65
70										70
75										75
80										80
85										85
90										90



TEREX